

FEATURES & SPECIFICATIONS

Features

- Long-term stability
- Linear, drift-free operation
- Conformance to DIN IEC 751 standards
- Industry standard temperature coefficient of .00385 $\Omega/\Omega/^{\circ}\text{C}$

Specifications

GENERAL

Tolerance: +/- (0.3 + .005t) $^{\circ}\text{C}$, +/- 0.1% @ 32 $^{\circ}\text{F}$ (0 $^{\circ}\text{C}$)

Stability: < 0.05% drift per year

Repeatability: +/- 0.1 $^{\circ}\text{C}$

Averaging sensors: +/- 1 $^{\circ}\text{F}$ @ 70 $^{\circ}\text{F}$ (21.11 $^{\circ}\text{C}$)

Temperature coefficient: 0.00385 $\Omega/\Omega/^{\circ}\text{C}$

Self-heating coefficient: < 5 m $\Omega/^{\circ}\text{C}$

Reference resistance: 1000 Ω @ 32 $^{\circ}\text{F}$ (0 $^{\circ}\text{C}$)

Response time: Air 1 m/s Air 3 m/s Water
(90% response) 25 sec. 17 sec. 0.3 sec.

Interchangability: +/- 0.3 $^{\circ}\text{C}$ @ 32 $^{\circ}\text{F}$ (0 $^{\circ}\text{C}$)

Conformance: IEC 751

ENVIRONMENTAL

Operating temperature: -50 to 375 $^{\circ}\text{F}$ (-45.6 to 190.6 $^{\circ}\text{C}$)

ELECTRICAL

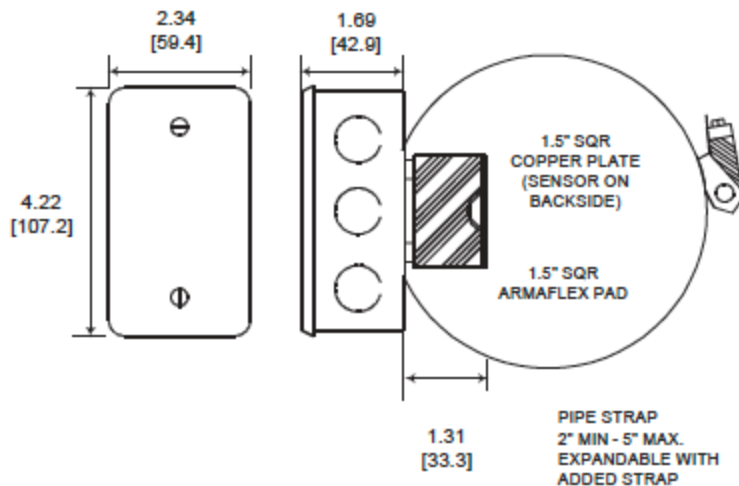
Max. current: 5 mA; recommended: 1 mA

Dimensions

Note: inches [mm]

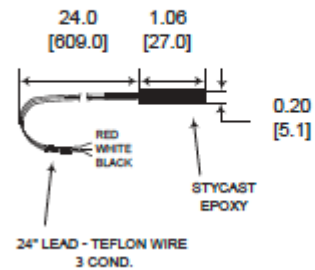
Model TS1005

Pipe Strap-on Mount Sensor



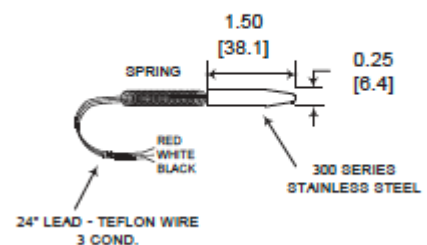
Quick Response Sensor

Model TS2007



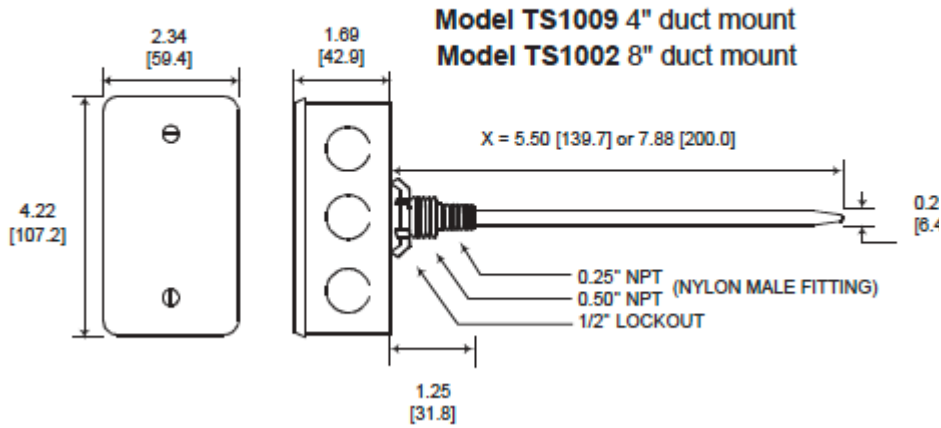
Universal Sensor

Model TS1007



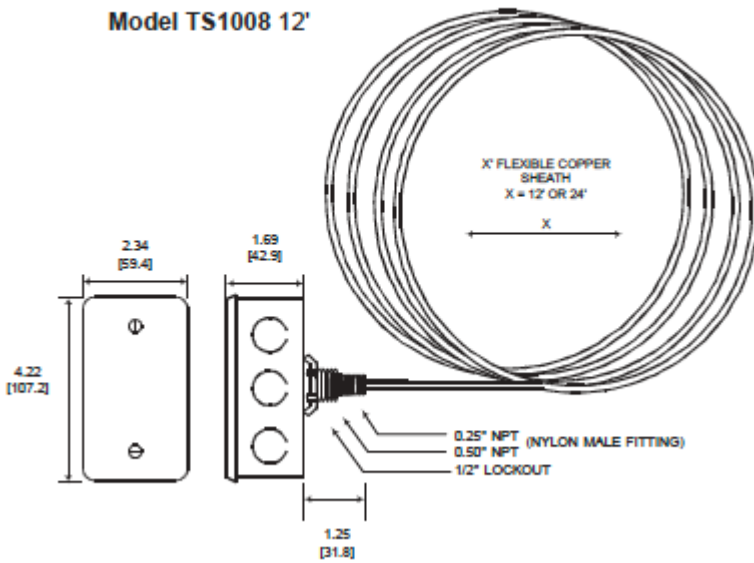
DIMENSIONS

4" or 8" Duct Mount Sensor



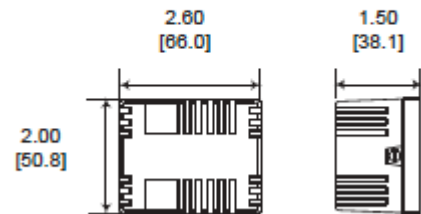
Averaging Mount Sensor

Model TS1006 24'
Model TS1008 12'



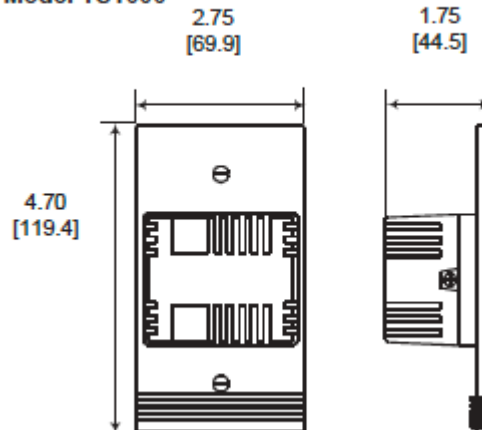
Room Mount Sensor

Model TS2000



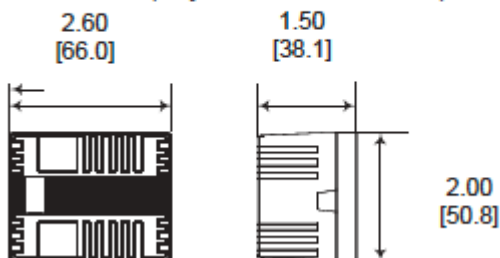
Wall Mount Sensor

Model TS1000



Room Mount with Setpoint and Override

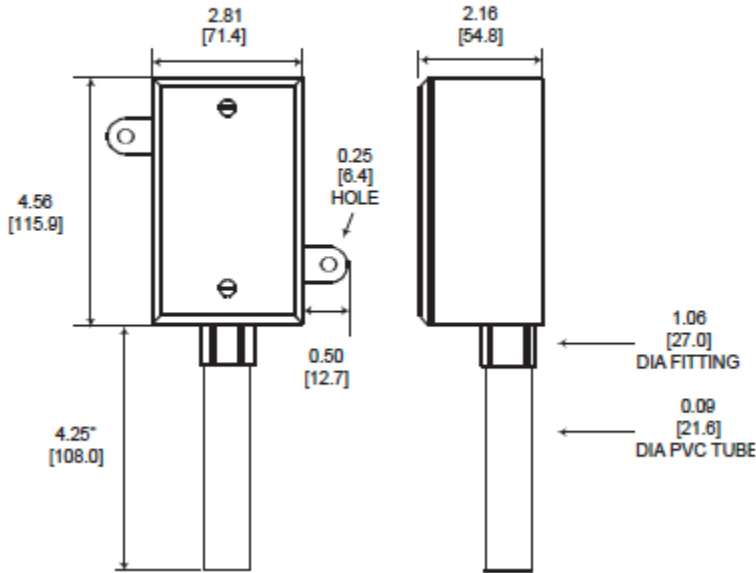
Model TS2023a (only for use with SZ1025a)



ORDERING INFORMATION

Outdoor Air Mount

Model TS1003



Ordering Information

Part No.	Description
TS1000	1000 Ω Platinum RTD, wall mount
TS1002	1000 Ω Platinum RTD, 8" duct mount
TS1003	1000 Ω Platinum RTD, outdoor air mount
TS1005	1000 Ω Platinum RTD, strap-on mount
TS1006	1000 Ω Platinum RTD, continuous averaging sensor, 24' length
TS1007	1000 Ω Platinum RTD, universal sensor, 24" lead
TS1008	1000 Ω Platinum RTD, continuous averaging sensor, 12' length
TS1009	1000 Ω Platinum RTD, 4" duct mount
TS2000	1000 Ω Platinum RTD, room mount
TS2007	1000 Ω Platinum RTD, quick response sensor, 24" lead
TS2023a	1000 Ω Platinum RTD, room mount with setpoint (to be used with SZ1025a)

TS Series Accessories

TQ1104	4" thermowell, stainless steel
TQ1110	8" thermowell, stainless steel
TX Series	Temperature Transmitters